

2

1

33026

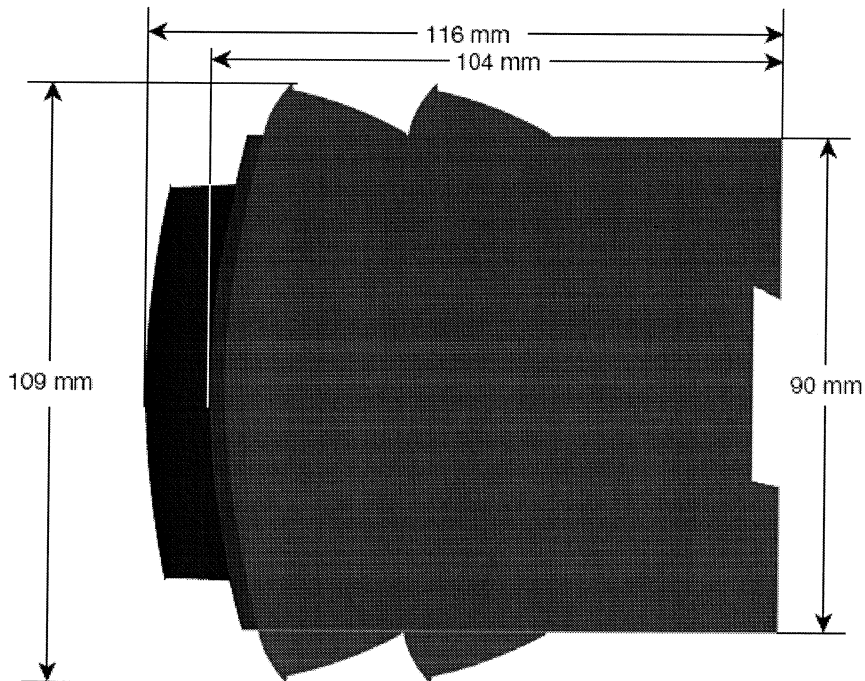
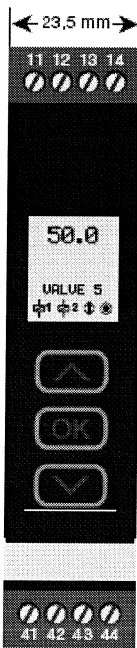
APPLICATION

REVISIONS

NEXT ASS'Y	USED ON	VAR

REV	DESCRIPTION	ECN	APP'D
NR	RELEASED TO DRAFTING		DM 3/06

PCB Piezotronics Inc. claims proprietary rights in the information disclosed hereon. Neither it nor any reproduction thereof will be disclosed to others without the written consent of PCB Piezotronics Inc.



1.) SHOWN WITH MODEL 070A80 DISPLAY/PROGRAMMER

UNLESS OTHERWISE SPECIFIED TOLERANCES ARE:

DIMENSIONS IN INCHES	DIMENSIONS IN MILLIMETERS [IN BRACKETS]
DECIMALS XX ± .03	DECIMALS X ± 0.8
XXX ± .010	XX ± 0.25
ANGLES ± 2 DEGREES	ANGLES ± 2 DEGREES

DRAWN	ECB	3/15/06	MFG	P.D	3/14/06
CHK'D	DM	3/15/06	ENGR	MJE	3/15/06
APP'D	NA	3/18/06	SALES	EG	3/20/06

PCB PIEZOTRONICS^{INC.}
 3425 WALDEN AVE. DEPEW, NY 14043
 (716) 684-0001 E-MAIL: sales@pcb.com

TITLE
 OUTLINE DRAWING
 MODEL 682A06
 UNIVERSAL TRANSMITTER

CODE IDENT. NO. 52681	DWG. NO. 33026
SCALE: FULL	SHEET 1 OF 1

2

1