

2

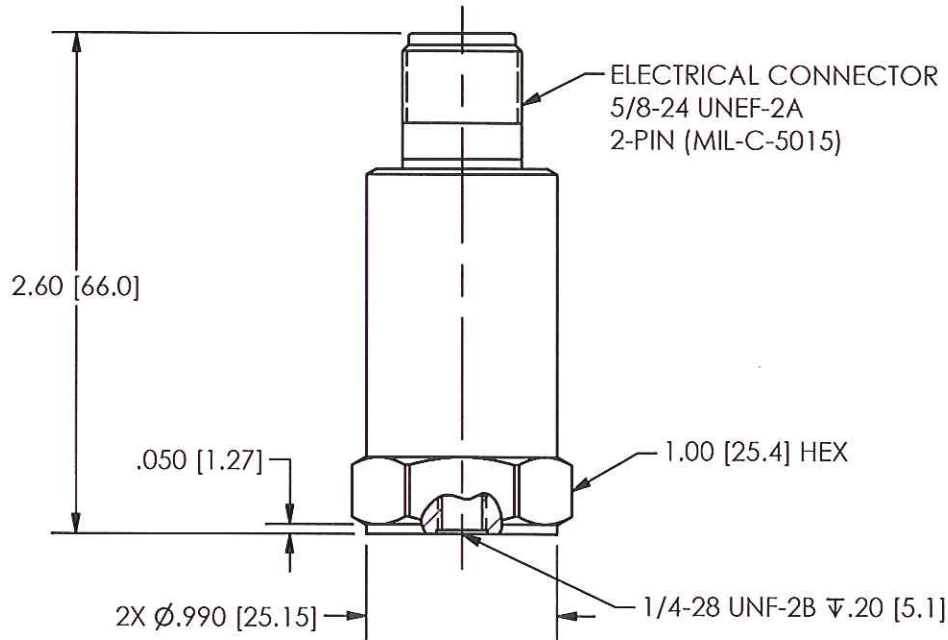
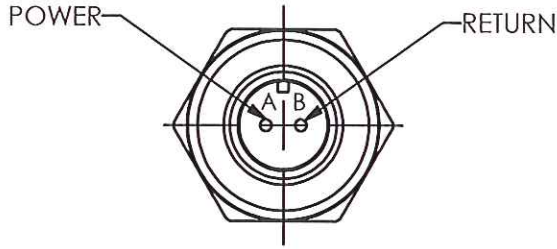
1

PCB Piezotronics Inc. claims proprietary rights in the information disclosed hereon. Neither it nor any reproduction thereof will be disclosed to others without the written consent of PCB Piezotronics Inc.

25316

| REVISIONS | | |
|-----------|---------------|-------|
| REV | DESCRIPTION | ECO |
| C | REMOVED TABLE | 34217 |

TOP VIEW OF CONNECTOR



| | | | | | | | |
|--|---|--|------------|-----------------|-----|--|----------------------------------|
| UNLESS OTHERWISE SPECIFIED TOLERANCES ARE: | | DRAWN | CHECKED | ENGINEER | | 3425 WALDEN AVE. DEPEW, NY 14043 (716) 684-0001 E-MAIL: sales@pcb.com | |
| DIMENSIONS IN INCHES | DIMENSIONS IN MILLIMETERS [IN BRACKETS] | <i>JDK</i> | <i>ECB</i> | <i>10/19/10</i> | JDK | | 10/19/10 |
| DECIMALS XX ±.03 XXX ±.010 | DECIMALS X ±0.8 XX ±0.25 | TITLE OUTLINE DRAWING MODEL 640BOX, M, 641BOX, M 4-20 mA VELOCITY TRANSMITTER | | | | CODE IDENT. NO. 52681 | DWG. NO. 25316 |
| ANGLES ± 2 DEGREES | ANGLES ± 2 DEGREES | | | | | FILLETS AND RADII .003 - .005 | FILLETS AND RADII 0.07 - 0.13 |

2

1