

10159

PCB Piezotronics Inc. claims proprietary rights in the information disclosed hereon. Neither it nor any reproduction thereof will be disclosed to others without written consent of PCB Piezotronics Inc.

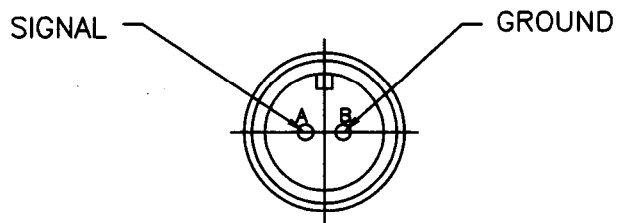
APPLICATION

NEXT ASS'Y	USED ON	VAR

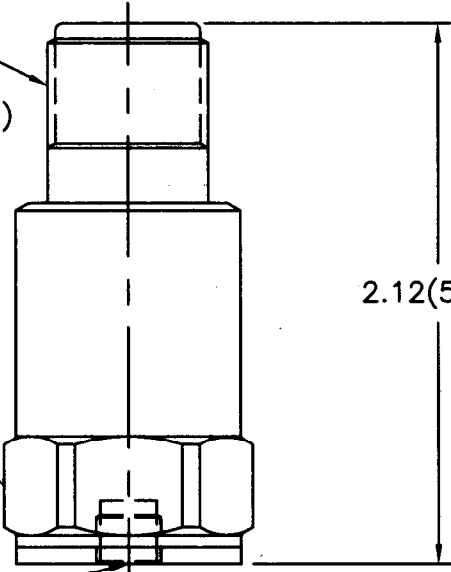
REVISIONS

REV	DESCRIPTION	ECN	DATE	APP'D
B	REVISED PER ECN	14210	10/14/01	em/10/01

TOP VIEW OF CONNECTOR



CONNECTOR  
5/8-24 UNEF-2A  
2-PIN (MIL-C-5015)



2.12(53.8)

7/8(22) HEX

1/4-28 UNF-2B  
X .29(7.4) ▽

ø.870(ø22.1)  
TYP

UNLESS SPECIFIED TOLERANCES

DIMENSIONS IN INCHES	DIMENSIONS IN MILLIMETERS (IN PARENTHESIS)
DECIMALS XX ±.01 XXX ±.005	DECIMALS XX ±0.3 XXX ±0.13
ANGLES ±2 DEGREES	ANGLES ±2 DEGREES

FILLETS AND RADII	FILLETS AND RADII
.003 - .005	(0.07 - 0.13)

DRAWN	<i>MVB</i>	1426.d	MFG	<i>P.L.H</i>	10/24/01
CHK'D	<i>em</i>	10/26/01	ENGR	<i>U.S</i>	11/16/01
APP'D	<i>ma</i>	11/24/01	SALES	<i>ECM</i>	11/24/01

**PCB PIEZOTRONICS**  
3425 WALDEN AVE. DEPEW, NY 14043  
(716) 684-0001 EMAIL: SALES@PCB.COM

TITLE  
OUTLINE DRAWING  
MODEL 612A01, 322M12  
CHARGE SENSOR

CODE IDENT. NO. 52681	DWG. NO. 10159
SCALE: 1.33 :1	
SHEET 1 OF 1	