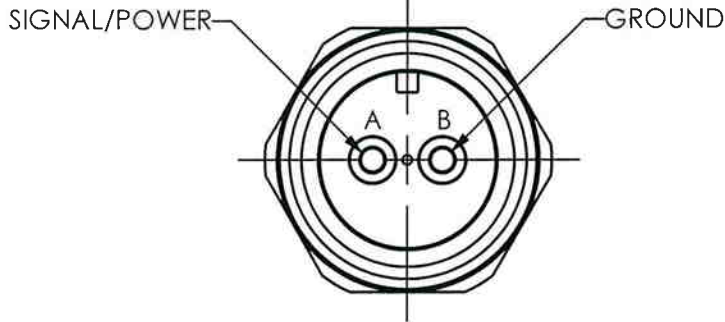


PCB Piezotronics Inc. claims proprietary rights in the information disclosed hereon. Neither it nor any reproduction thereof will be disclosed to others without the written consent of PCB Piezotronics Inc.

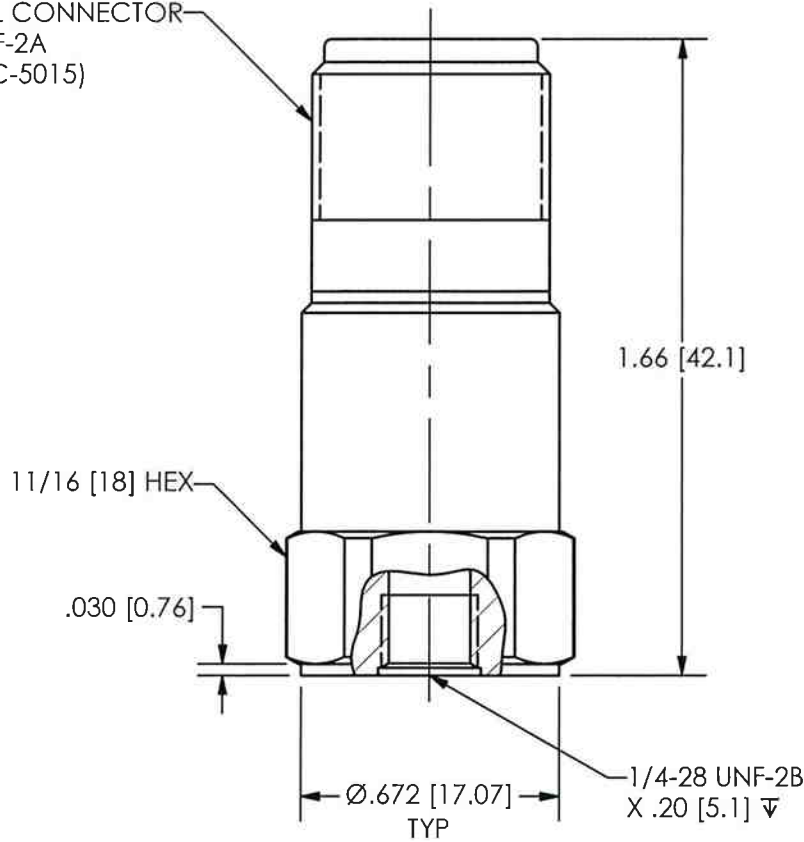
REVISIONS

REV	DESCRIPTION	ECN	APP'D
NR	RELEASED TO DRAFTING		ECB 8/22/07

38368



ELECTRICAL CONNECTOR  
5/8-24 UNEF-2A  
2-PIN (MIL-C-5015)



UNLESS OTHERWISE SPECIFIED TOLERANCES ARE:

DIMENSIONS IN INCHES

DIMENSIONS IN MILLIMETERS  
[ IN BRACKETS ]

DECIMALS XX ± .03  
XXX ± .010  
ANGLES ± 2 DEGREES

DECIMALS X ± 0.8  
XX ± 0.25  
ANGLES ± 2 DEGREES

FILLETS AND RADII  
.003 - .005

FILLETS AND RADII  
[0.07 - 0.13]

DRAWN	MDF	8/21/07	MFG	JJB	8/21/07
CHK'D	ECB	8/22/07	ENGR	MJN	8/24/07
APP'D	JAP	8/24/07	SALES	BJ	8/24/07
TITLE					

OUTLINE DRAWING  
MODEL 603C02, M  
ACCELEROMETER

**PCB PIEZOTRONICS™**

3425 WALDEN AVE. DEPEW, NY 14043  
(716) 684-0001 E-MAIL: sales@pcb.com

CODE IDENT. NO. 52681	DWG. NO. 38368
SCALE: 2 X	SHEET 1 OF 1