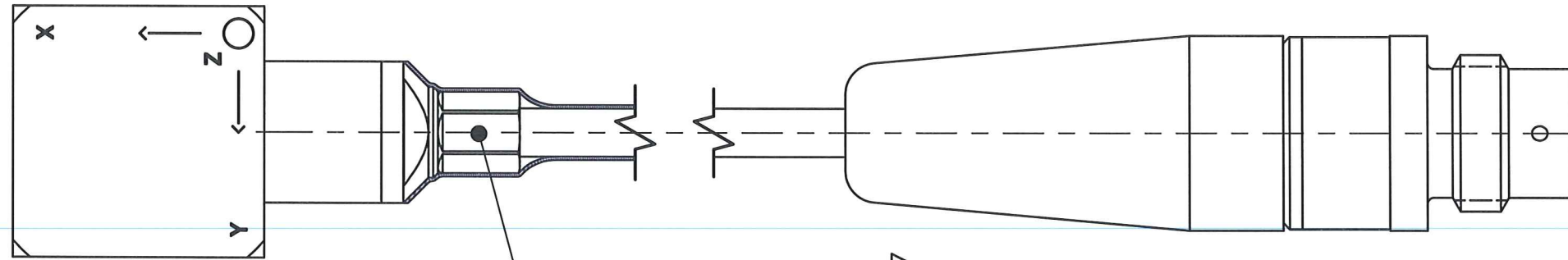


PCB Piezotronics Inc. claims proprietary rights in the information disclosed hereon. Neither it nor any reproduction thereof will be disclosed to others without the written consent of PCB Piezotronics Inc.

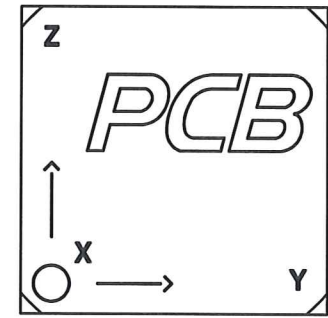
15147

REVISIONS

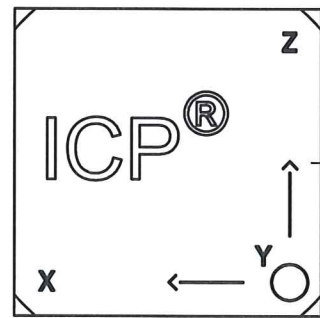
REV	DESCRIPTION	DIN
C	CORRECTED PIN OUT	37092



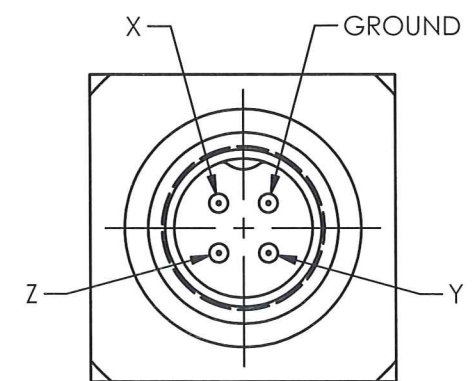
.115 HEX CRIMP RECOMMENDED FOR STRAIN RELIEF



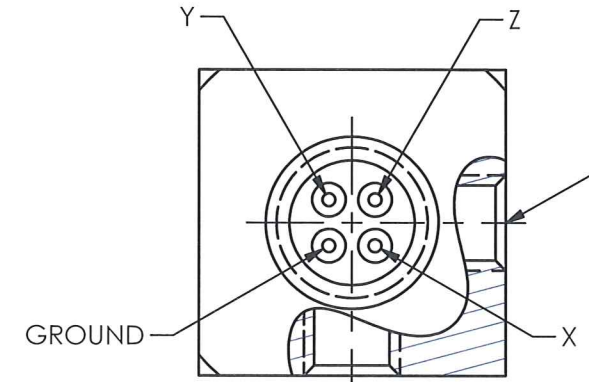
.40 [10.2] CUBE



ATTACHED 034AD005CA CABLE  
5 ft [1.5 M] LONG TERMINATING IN 4-PIN JACK




PIN OUT  
(CONNECTOR SIDE)



PIN OUT (SENSOR SIDE)

2X 5-40 UNC - 2B  $\nabla$  .105 [2.67]

FOR REPLACEMENT, USE PCB PART NUMBER 1367-01.

UNLESS OTHERWISE SPECIFIED TOLERANCES ARE:		DRAWN	CHECKED	ENGINEER	 3425 WALDEN AVE. DEPEW, NY 14043 (716) 684-0001 E-MAIL: sales@pcb.com	
DIMENSIONS IN INCHES	DIMENSIONS IN MILLIMETERS [IN BRACKETS]	SMB	9/28/11	BAM		9/28/11
DECIMALS XX ±.03 XXX ±.010	DECIMALS X ± 0.8 XX ± 0.25	TITLE				CODE IDENT. NO. 52681
ANGLES ± 2 DEGREES	ANGLES ± 2 DEGREES	OUTLINE DRAWING .4" CUBE W/ INTEGRAL CABLE TRIAxIAL ACCELEROMETER				DWG. NO. 15147
FILLETS AND RADII .003 - .005	FILLETS AND RADII 0.07 - 0.13				SCALE: 4X SHEET 1 OF 1	