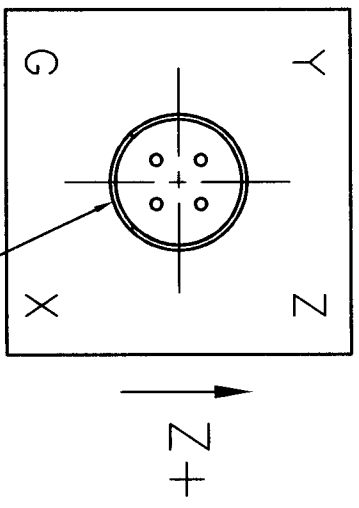
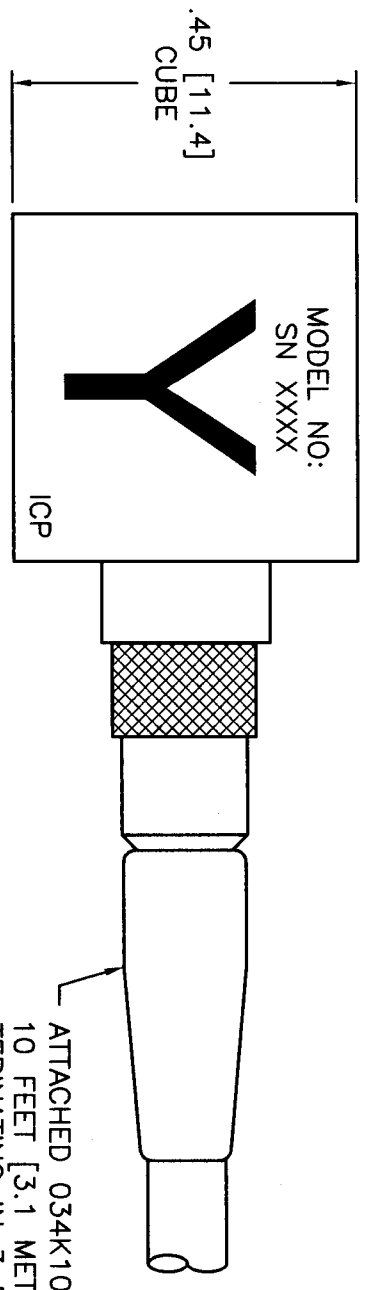
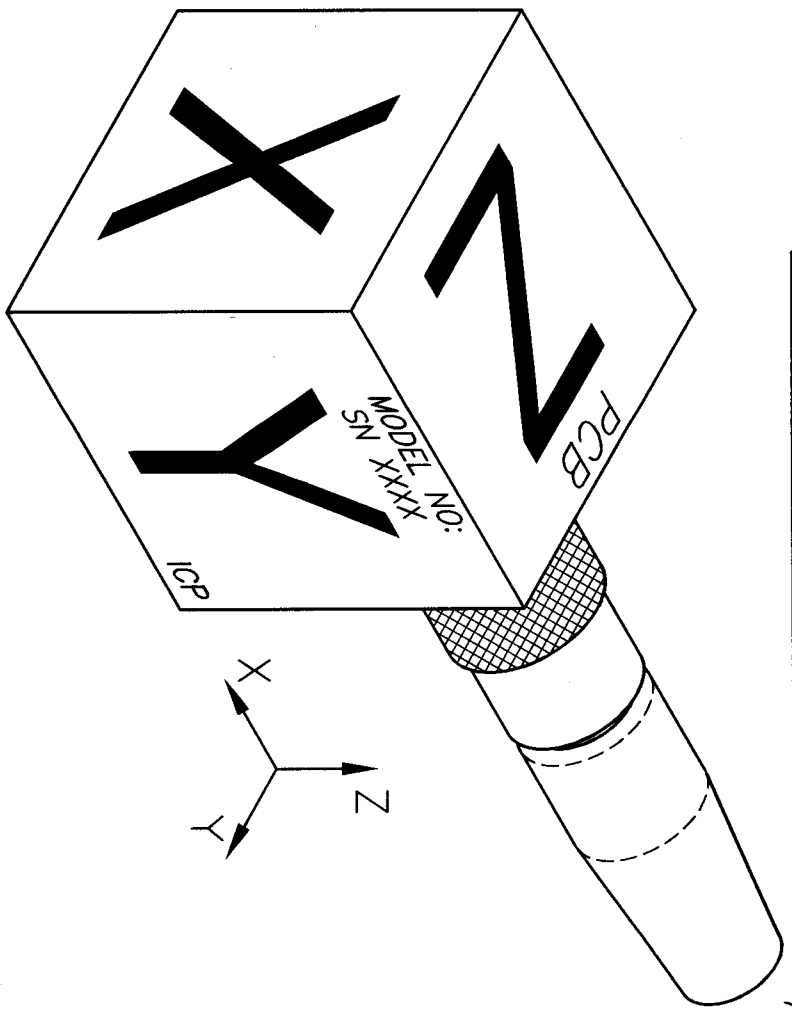
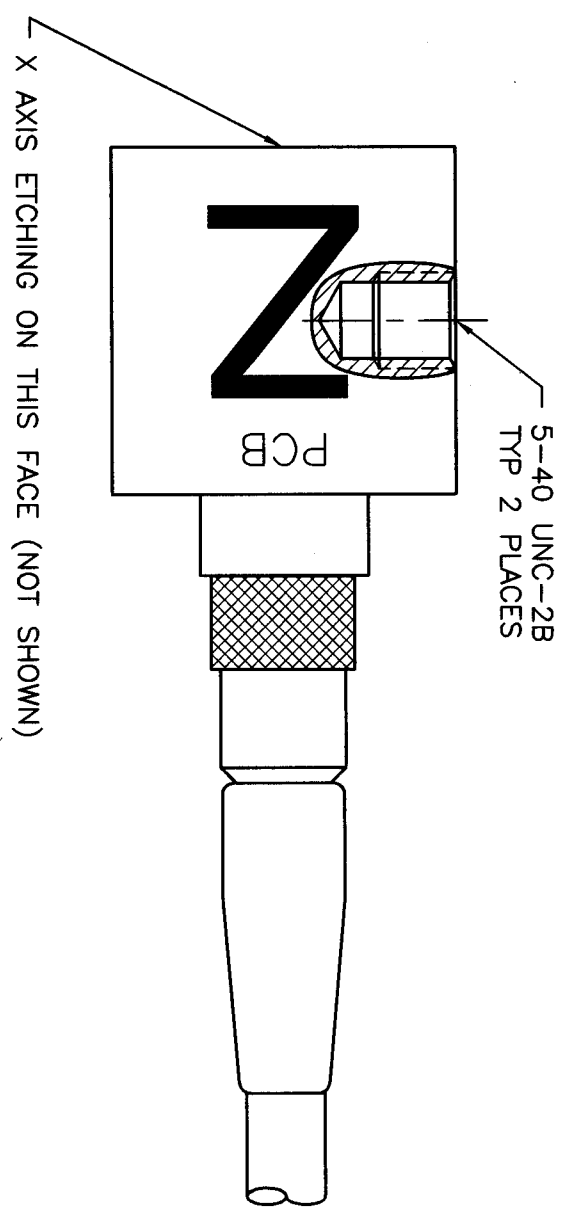


APPLICATION		
NEXT ASSY	USED ON	VAR
PCB Piezotronics Inc. claims proprietary rights in the information disclosed hereon. Neither it nor any reproduction thereof will be disclosed to others without written consent of PCB Piezotronics Inc.		

REVISIONS					
ZONE	REV	DESCRIPTION	ECN	DATE	APP'D
A		REMOVE "PRELIMINARY"	10203	3/12/99	
B		CHANGED CABLE	15112	4/8/02	
C		UPDATED DRAWING	16633	12/31/02	<i>DWA</i>

10427



THIS VIEW SHOWN WITHOUT CABLE FOR PIN OUTPUT.

UNLESS SPECIFIED TOLERANCES	
DIMENSIONS IN INCHES	DIMENSIONS IN MILLIMETERS
DECIMALS XX ±.01	DECIMALS XX ±0.3
XXX ±.005	XXX ±0.13
ANGLES ±2 DEGREES	ANGLES ±2 DEGREES
FILLETS AND RADI	FILLETS AND RADI
.003 - .005	[0.07 - 0.13]

DRAWN	<i>SP</i>	1/12/05	MFG	DC	1-1-3	 3425 WALDEN AVE. DEPEW, NY 14045 (716) 684-0001 EMAIL: SALES@PCB.COM
CHK'D	<i>DM</i>	1/9/02	ENGR	<i>CS</i>	1/9/03	
APP'D	<i>DM</i>	1/10/03	SALES	<i>CS</i>	1/16/03	
TITLE: OUTLINE DRAWING 45" CUBE W/ 8/36 4-PIN CONNECTOR TRIAxIAL ACCELEROMETER						CODE: 10427 IDENT. NO.: 52681 SCALE: 4X SHEET 1 OF 1

