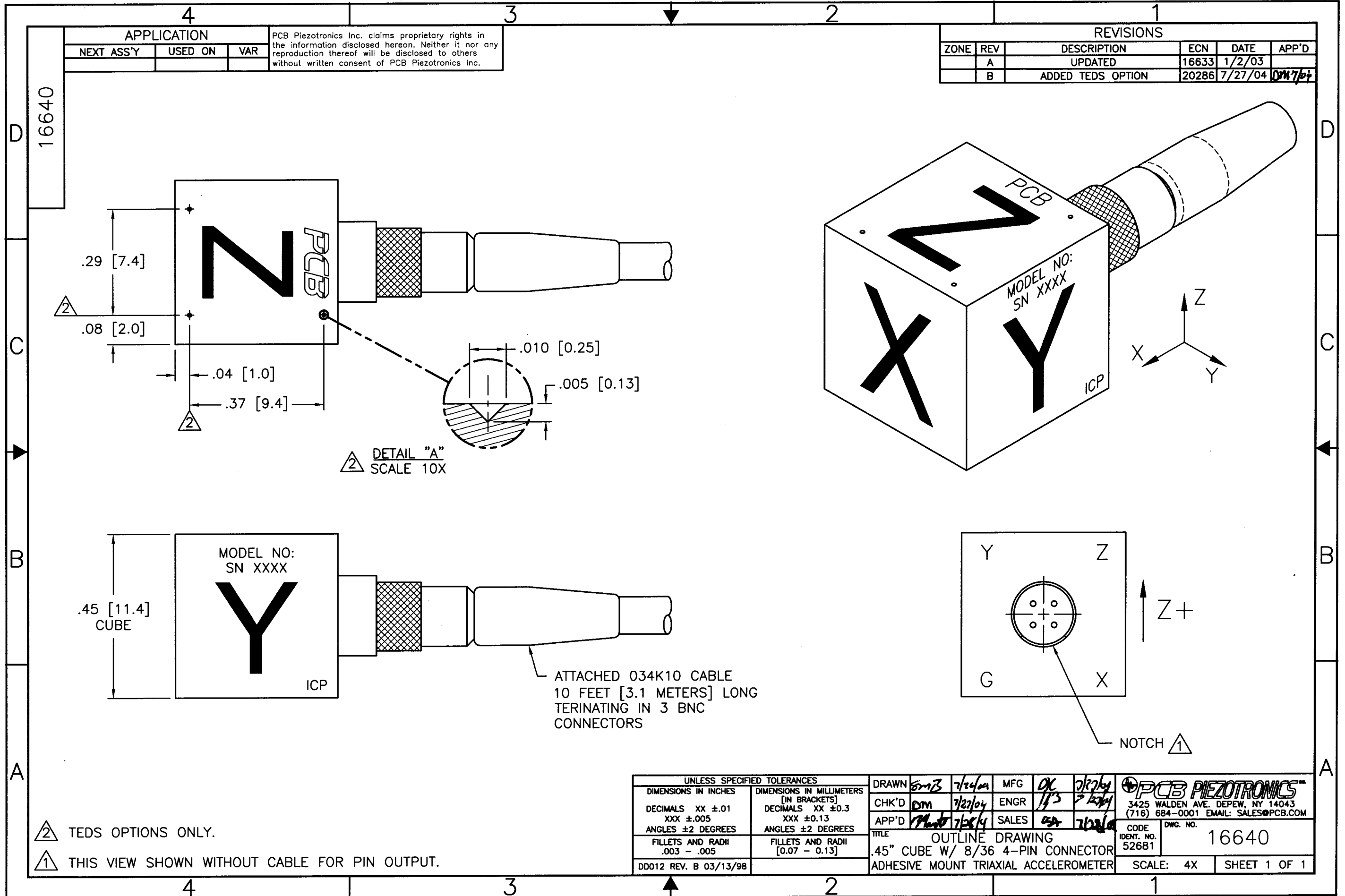


APPLICATION		
NEXT ASS'Y	USED ON	VAR

PCB Piezotronics Inc. claims proprietary rights in the information disclosed hereon. Neither it nor any reproduction thereof will be disclosed to others without written consent of PCB Piezotronics Inc.

REVISIONS					
ZONE	REV	DESCRIPTION	ECN	DATE	APP'D
	A	UPDATED	16633	1/2/03	
	B	ADDED TEDS OPTION	20286	7/27/04	DM7/04



DETAIL "A"
SCALE 10X

ATTACHED 034K10 CABLE
10 FEET [3.1 METERS] LONG
TERMINATING IN 3 BNC
CONNECTORS

NOTCH 1

2 TEDS OPTIONS ONLY.

1 THIS VIEW SHOWN WITHOUT CABLE FOR PIN OUTPUT.

UNLESS SPECIFIED TOLERANCES		DRAWN	DATE	MFG	CHK'D	DATE	ENGR	SALES	DATE	PCB PIEZOTRONICS™	
DIMENSIONS IN INCHES	DIMENSIONS IN MILLIMETERS [IN BRACKETS]	DM	7/27/04	OK	DM	7/27/04	1/3	DM	7/27/04	3425 WALDEN AVE. DEPEW, NY 14043 (716) 684-0001 EMAIL: SALES@PCB.COM	
DECIMALS XX ±.01 XXX ±.005	DECIMALS XX ±0.3 XXX ±0.13	APP'D	DM	7/27/04	SALES	DM	7/27/04			CODE IDENT. NO. 52681	DWG. NO. 16640
ANGLES ±2 DEGREES	ANGLES ±2 DEGREES	TITLE		OUTLINE DRAWING		SCALE: 4X		SHEET 1 OF 1			
FILLETS AND RADII .003 - .005	FILLETS AND RADII [0.07 - 0.13]	DD012 REV. B 03/13/98		ADHESIVE MOUNT TRIAXIAL ACCELEROMETER							