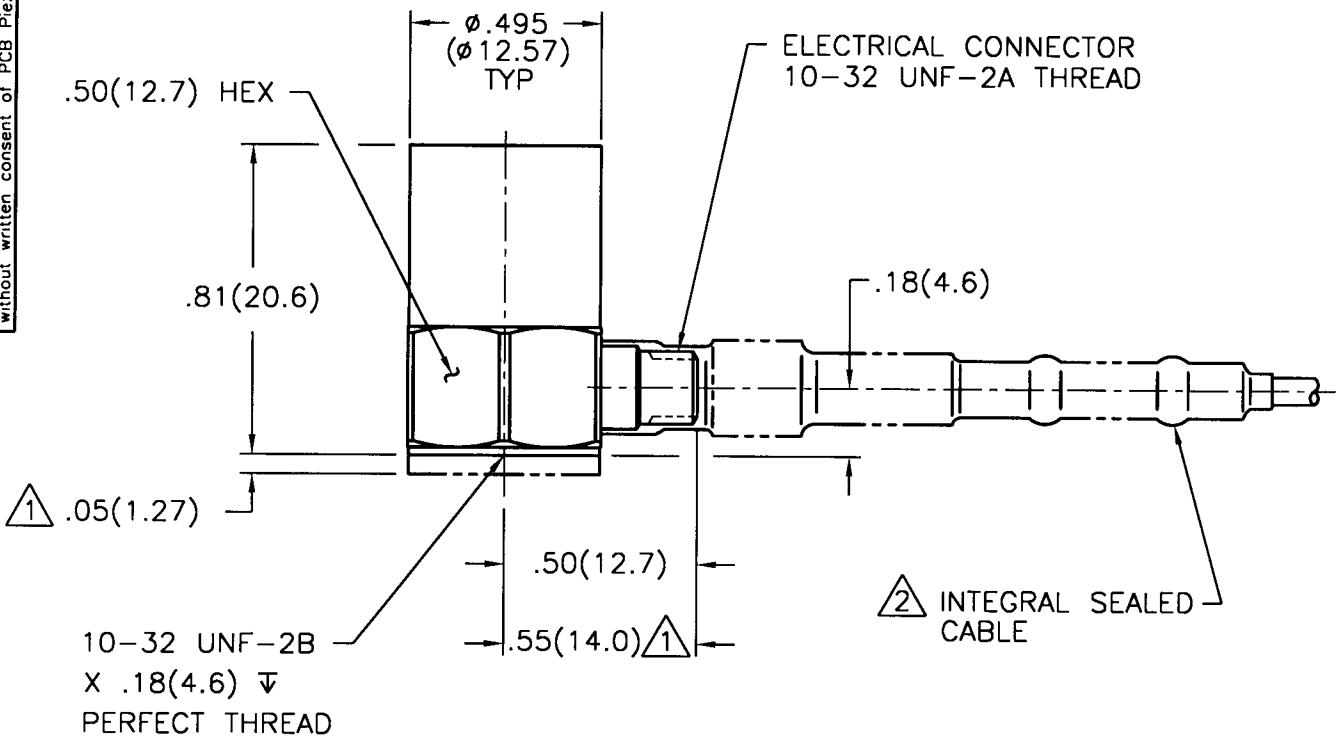


APPLICATION		
NEXT ASS'Y	USED ON	VAR

REVISIONS				
REV	DESCRIPTION	ECN	DATE	APP'D

9982

PCB Piezotronics Inc. claims proprietary rights in the information disclosed herein. Neither it nor any reproduction thereof will be disclosed to others without written consent of PCB Piezotronics Inc.



- △ 2 ADD CABLE FOR SENSOR WITH WATER RESISTANT OPTION.
- △ 1 ADD DIMENSION FOR SENSOR WITH GROUND ISOLATED OPTION.

UNLESS SPECIFIED TOLERANCES		DRAWN	DATE	MFG	DATE	PCB PIEZOTRONICS™ 3425 WALDEN AVE. DEPEW, NY 14043 (716) 684-0001 EMAIL: SALES@PCB.COM
DIMENSIONS IN INCHES DECIMALS XX ± .01 XXX ± .005 ANGLES ± 2 DEGREES	DIMENSIONS IN MILLIMETERS (IN PARENTHESIS) DECIMALS XX ± 0.3 XXX ± 0.13 ANGLES ± 2 DEGREES	DRM	12/9/98	SA	12-11-98	
FILLET AND RADII .003 - .005	FILLET AND RADII (0.07 - 0.13)	CHK'D	DM	ENGR	LS	CODE IDENT. NO. 52681
DD011 REV. B 03/13/98		APP'D	Phillis	SALES	CSA	DWG. NO. 9982
TITLE OUTLINE DRAWING MODEL 320C03 ACCELEROMETER						SCALE: 2 X SHEET 1 OF 1