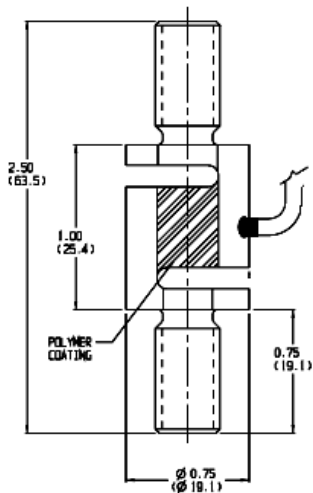


# Interface Model TCN–Micro S-Type

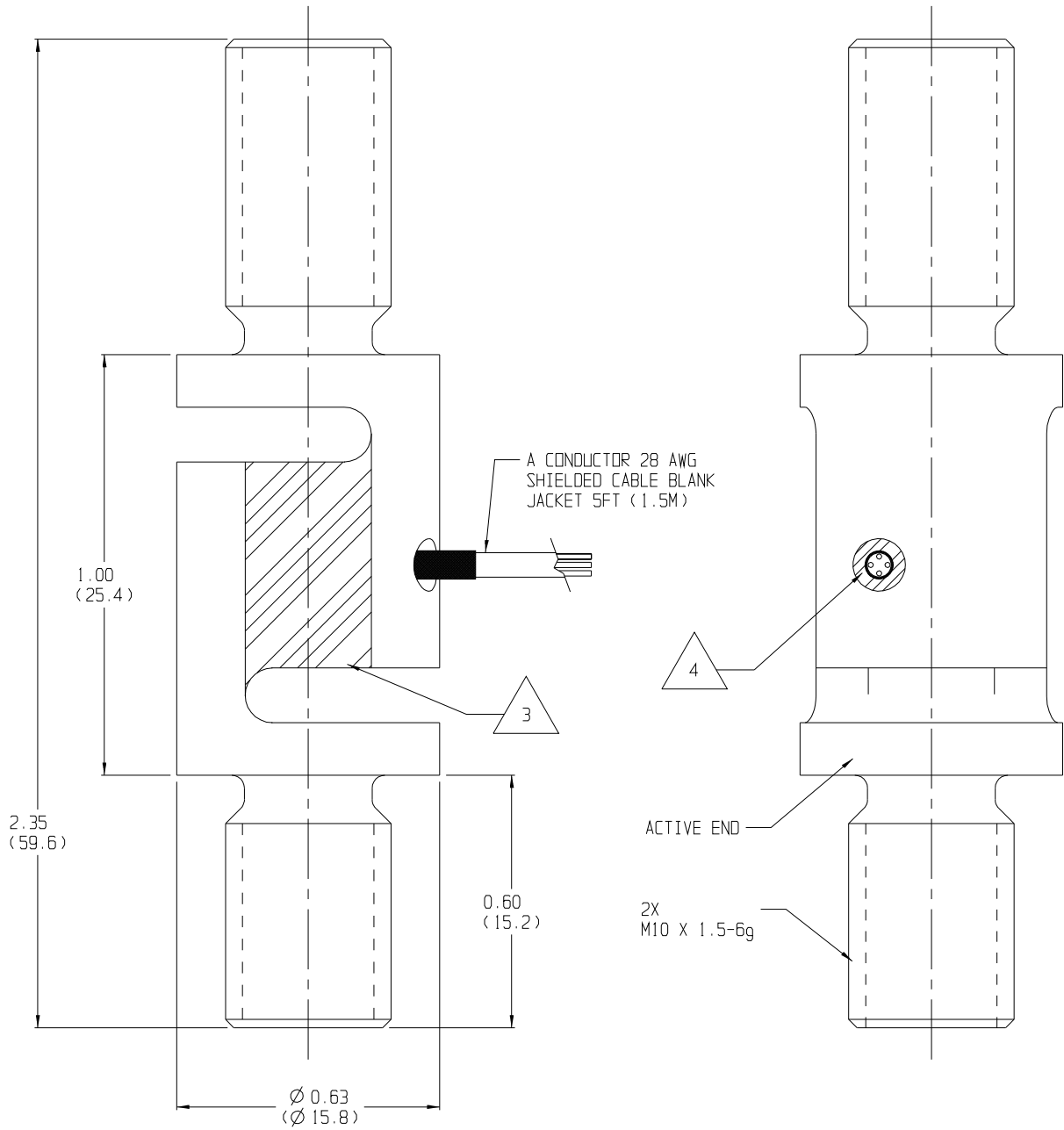


- Medical application
- Miniature S-Type load cell with male threads
- Aluminum construction, RTV sealed
- Capacities of 50 & 75 lbf

## ***SPECIFICATIONS***

Rated Output	3.0 mV/V
Nonlinearity %FS	$\pm 0.10$
Hysteresis %FS	$\pm 0.10$
Nonrepeatability %FS	$\pm 0.05$

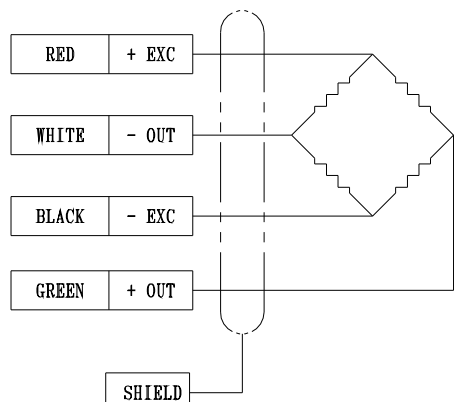
REVISIONS			
REV	DESCRIPTION	DATE	APPROVED
A	INITIAL RELEASE	10-15-02	



A CONDUCTOR 28 AWG SHIELDED CABLE BLANK JACKET 5FT (1.5M)

ACTIVE END

2X M10 X 1.5-6g



4 EPOXY STRAIN RELIEF.

3 POTTING: POLYMER COATING.

2. DIMENSIONAL TOLERANCE: ± 0.01 (± 0.3)

1. DIMENSIONS IN INCHES & (MM)

<b>Interface, Inc.</b>			
7401 E. BETHERUS DR. SCOTTSDALE, ARIZONA 85260			
TITLE: OUTLINE MODEL		DWG NO.:	
TCN-75-301		80398	
SIZE: A	DRAWN BY: JEP	DATE: 10-14-02	REV: A
SCALE: 2:1	APPROVED BY:	SHEET 1 OF 1	
<small>Interface Inc. claims propriety rights in the information disclosed herein. This drawing is furnished in confidence on the express understanding that neither it nor any reproduction thereof will be disclosed to others or used for the purpose of manufacture or procurement of the article or part shown hereon without written permission of Interface Inc. The drawing shall remain Interface's property and shall be returned on Interface's request.</small>			