

## P/N: T300585

### Copyright

© 2023, FLIR Systems, Inc.

All rights reserved worldwide. Names and marks appearing herein are either registered trademarks or trademarks of FLIR Systems and/or its subsidiaries. All other trademarks, trade names or company names referenced herein are used for identification only and are the property of their respective owners.

### Document identity

Publ. No.: T300585

Commit: 93434

Language: en-US

Modified: 2023-10-02

Formatted: 2023-10-02

### Website

<http://www.flir.com>

### Customer support

<http://support.flir.com>

### Disclaimer

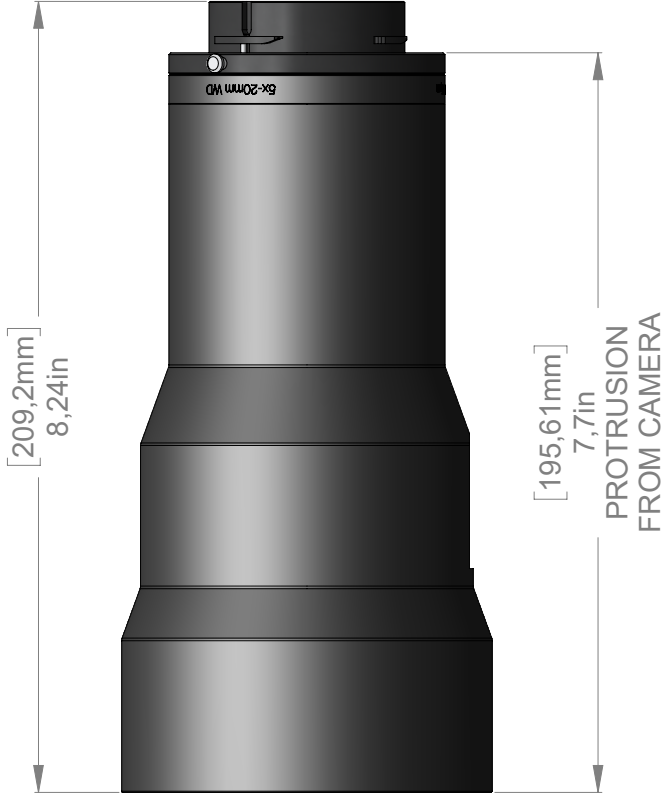
Specifications subject to change without further notice. Camera models and accessories subject to regional market considerations. License procedures may apply. Products described herein may be subject to US Export Regulations. Please refer to [exportquestions@flir.com](mailto:exportquestions@flir.com) with any questions.



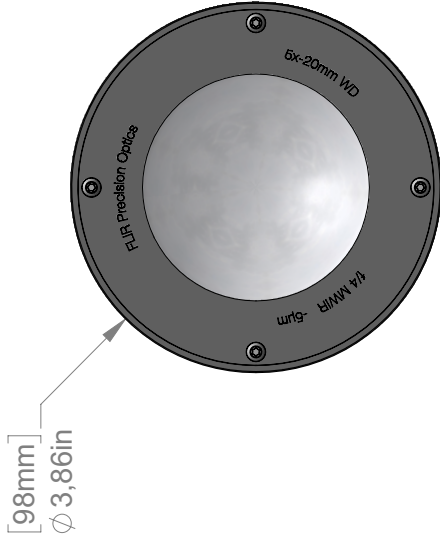
Specifications	
Spectral band	3–5 $\mu\text{m}$
Focal length	5x Microscope
f /number	4
Average transmission	86%
Focus type	Manual
Distortion	< 1.0%
Focus range	20 mm
Hyperfocal distance	N/A
Operating temperature	–20°C to +50°C (–4°F to 122°F)
Storage temperature	–40°C to +70°C (–40°F to 158°F)
Length (outside of camera)	196 mm (7.7 in)
Diameter	96 mm (3.86 in)
Weight	1.73 kg (3.82 lbs)
Interface	4-Tab FPO Manual Focus Bayonet
Depth of field (DOF) f/4 camera	30 $\mu\text{m}$
mm Horizontal field of view (A66/67XXsc/SC67XX)	1.92
mm Vertical field of view (A66/67XXsc/SC67XX)	1.54
mm Diagonal field of view (A66/67XXsc/SC67XX)	2.46
mm Horizontal field of view (X68XXsc/X69XXsc)	3.2
mm Vertical field of view (X68XXsc/X69XXsc)	2.6
mm Diagonal field of view (X68XXsc/X69XXsc)	4.1
mm Horizontal field of view (X85XXsc)	3.1
mm Vertical field of view (X85XXsc)	2.5
mm Diagonal field of view (X85XXsc)	3.9

### Compatible with the following products:

- 29440-203; FLIR A6703 (f/4.0, 3-5 $\mu\text{m}$ , 60Hz)
- 29440-253; FLIR A6753 (f/4.0, 3-5 $\mu\text{m}$ , 125Hz)
- 29440-283; FLIR A6783 (f/4.0, 3-5 $\mu\text{m}$ , 125Hz)
- 29443-203; FLIR A8583 (f/4.0, 3.0-5.0  $\mu\text{m}$ )
- 29420-203; FLIR X6803sc
- 29267-283; FLIR X6983 InSb MWIR (f/4.1, 3.0–5.0  $\mu\text{m}$ )
- 29422-283; FLIR X8583 InSb MWIR (f/4.1, 3.0-5.0  $\mu\text{m}$ )



WEIGHT - [1733g]  
61,1oz



**5x-20mm WD**  
P/N: T300545

Lens part of T300585.

