

Macro lens 2.0x with case

P/N: T300238

Copyright

© 2021, FLIR Systems, Inc.

All rights reserved worldwide. Names and marks appearing herein are either registered trademarks or trademarks of FLIR Systems and/or its subsidiaries. All other trademarks, trade names or company names referenced herein are used for identification only and are the property of their respective owners.

Document identity

Publ. No.: T300238
 Commit: 71998
 Language: en-US
 Modified: 2020-11-19
 Formatted: 2021-01-04

Website

<http://www.flir.com>

Customer support

<http://support.flir.com>

Disclaimer

Specifications subject to change without further notice. Camera models and accessories subject to regional market considerations. License procedures may apply. Products described herein may be subject to US Export Regulations. Please refer to exportquestions@flir.com with any questions.



General description	
This Macro lens provides 2× magnification compared to the standard 24° lens in Macro mode. It is developed for R&D usage or development purposes, such as looking at PCB's or small electronic components.	
Imaging and optical data	
Field of view (FOV)	Depending on the IR resolution of the camera: <ul style="list-style-type: none"> • 320 x 240: 15.78 mm x 11.83 mm • 384 x 288: 15.78 mm x 11.83 mm • 464 x 348: 15.78 mm x 11.83 mm • 640 x 480: 15.36 mm x 11.52 mm
Magnifying factor	2.0×
Working distance	18 mm (0.71 in)
Depth of field	±0.1 mm
Focal length	17.5 mm (0.69 in)
Spatial resolution (IFOV)	Depending on the IR resolution of the camera: <ul style="list-style-type: none"> • 320 x 240 pixels: 49 µm/pixel • 384 x 288 pixels: 41 µm/pixel • 464 x 348 pixels: 34 µm/pixel • 640 x 480 pixels: 24 µm/pixel
Lens identification	Automatic
F-number	1.1
Number of lenses	4 (4 asph)
MTF @ 70% of FOV	For 30 cy/mm: 32%
Distortion	< 0.5%
Physical data	
Weight	0.19 kg (0.42 lb)
Size (L x D)	46 x 72 mm (1.8 x 2.83 in)
Front lens diameter	25.4 mm (1.0 in)
Shipping information	
Packaging, type	Cardboard box
List of contents	<ul style="list-style-type: none"> • Lens • Lens case • Front lens cap • Rear lens cap • Lens mounting instructions



Macro lens 2.0x with case

P/N: T300238

© 2021, FLIR Systems, Inc.

#T300238; r. 71998; en-US

Shipping information	
Packaging, weight	0.450 kg (0.99 lb)
Packaging, size	151 × 125 × 125 mm (5.9 × 4.9 × 4.9 in)
EAN-13	7332558025772
UPC-12	845188021481
Country of origin	Sweden

Compatible with the following products:

- 85900-0000; FLIR A700 Thermal Core
- 91900-0000; FLIR A400 Thermal Core
- 90600-0000; FLIR A500 Thermal Core
- 79301-0101; FLIR T530 14°
- 79302-0101; FLIR T530 24°
- 79304-0101; FLIR T530 24° + 14°
- 79306-0101; FLIR T530 24° + 14° & 42°
- 79305-0101; FLIR T530 24° + 42°
- 79303-0101; FLIR T530 42°
- 79307-0101; FLIR T530 42° + 14°
- 79301-0201; FLIR T540 14°
- 79302-0201; FLIR T540 24°
- 79304-0201; FLIR T540 24° + 14°
- 79306-0201; FLIR T540 24° + 14° & 42°
- 79305-0201; FLIR T540 24° + 42°
- 79303-0201; FLIR T540 42°
- 79307-0201; FLIR T540 42° + 14°
- 89001-0101; FLIR T560 14°
- 89002-0101; FLIR T560 24°
- 89004-0101; FLIR T560 24° + 14°
- 89006-0101; FLIR T560 24° + 14° & 42°
- 89005-0101; FLIR T560 24° + 42°
- 89003-0101; FLIR T560 42°
- 89007-0101; FLIR T560 42° + 14°
- 79302-0302; FLIR T540-EST 24°
- 79303-0302; FLIR T540-EST 42°
- 89002-0302; FLIR T560-EST 24°
- 89003-0302; FLIR T560-EST 42°
- 82501-0201; FLIR T840 14°
- 82502-0201; FLIR T840 24°
- 82504-0201; FLIR T840 24° + 14°
- 82506-0201; FLIR T840 24° + 14° & 42°
- 82505-0201; FLIR T840 24° + 42°
- 82503-0201; FLIR T840 42°
- 82507-0201; FLIR T840 42° + 14°
- 78501-0101; FLIR E75 14°
- 78502-0101; FLIR E75 24°
- 78504-0101; FLIR E75 24° + 14°
- 78506-0101; FLIR E75 24° + 14° & 42°
- 78505-0101; FLIR E75 24° + 42°
- 78503-0101; FLIR E75 42°
- 78507-0101; FLIR E75 42° + 14°

P/N: T300238

© 2021, FLIR Systems, Inc.

#T300238; r. 71998; en-US


- 78511-1101; FLIR E76 14°
- 78512-1101; FLIR E76 24°
- 78514-1101; FLIR E76 24° + 14°
- 78516-1101; FLIR E76 24° + 14° & 42°
- 78515-1101; FLIR E76 24° + 42°
- 78513-1101; FLIR E76 42°
- 78517-1101; FLIR E76 42° + 14°
- 78501-0201; FLIR E85 14°
- 78502-0201; FLIR E85 24°
- 78504-0201; FLIR E85 24° + 14°
- 78506-0201; FLIR E85 24° + 14° & 42°
- 78505-0201; FLIR E85 24° + 42°
- 78503-0201; FLIR E85 42°
- 78507-0201; FLIR E85 42° + 14°
- 78511-1301; FLIR E86 14°
- 78512-1301; FLIR E86 24°
- 78514-1301; FLIR E86 24° + 14°
- 78516-1301; FLIR E86 24° + 14° & 42°
- 78515-1301; FLIR E86 24° + 42°
- 78513-1301; FLIR E86 42°
- 78517-1301; FLIR E86 42° + 14°
- 78501-0301; FLIR E95 14°
- 78502-0301; FLIR E95 24°
- 78504-0301; FLIR E95 24° + 14°
- 78506-0301; FLIR E95 24° + 14° & 42°
- 78505-0301; FLIR E95 24° + 42°
- 78503-0301; FLIR E95 42°
- 78507-0301; FLIR E95 42° + 14°
- 90201-0101; FLIR E96 14°
- 90202-0101; FLIR E96 24°
- 90204-0101; FLIR E96 24° + 14°
- 90206-0101; FLIR E96 24° + 14° & 42°
- 90205-0101; FLIR E96 24° + 42°
- 90203-0101; FLIR E96 42°
- 90207-0101; FLIR E96 42° + 14°

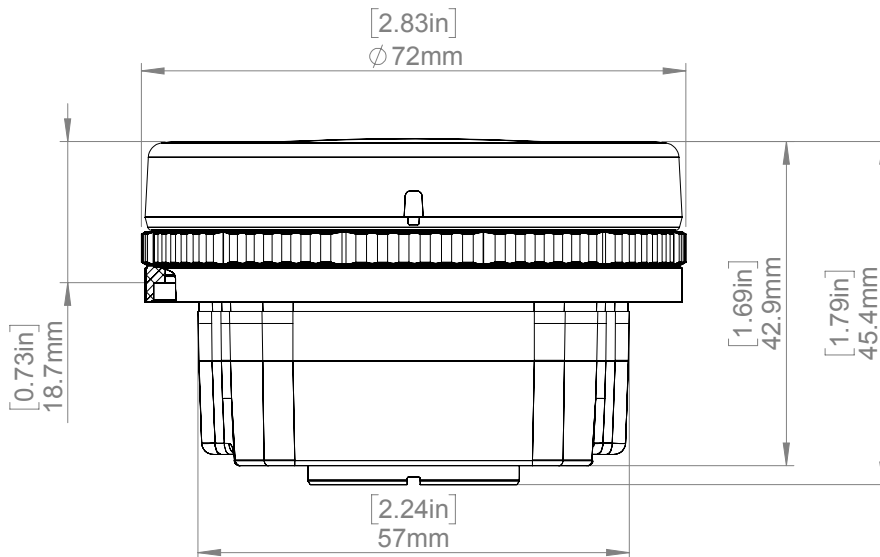
© 2016, FLIR Systems, Inc. All rights reserved worldwide. No part of this drawing may be reproduced, stored in a retrieval system, or transmitted in any form, or by any means - electronic, mechanical, photocopying, recording, or otherwise, without written permission from FLIR Systems, Inc. Specifications subject to change without further notice. Dimensional data is based on nominal values. Products may be subject to regional market considerations. License procedures may apply. Product may be subject to US Export Regulations. Please refer to exportquestions@flir.com with any questions. Diversion contrary to US law is prohibited.

Lens IR f=10mm (42°)

Lens IR f=17mm (24°)

Lens IR f=29mm (14°)

Lens IR Close-Up (2x) 



Aufgrund laufender Weiterentwicklungen sind Änderungen der Spezifikationen vorbehalten. Alle Angaben vorbehaltlich Satz- und Druckfehler.

v10.05.21

nbn Austria GmbH

Riesstraße 146, 8010 Graz

+43 316 40 28 05 | nbn@nbn.at | www.nbn.at

nbn

Modified 2019-09-30	Check JOHE	Drawn by R&D Instruments
------------------------	---------------	-----------------------------

Denomination

Basic dimensions for lenses T199104,
T199105, T199106, T199598

Size
A4

Scale
1:1

FLIR



Sheet
1(1)

Drawing No.
T130322

Rev
B