

# HM-SP620-LENS



The interchangeable lens series is often used with handheld thermal cameras to expand the focal length of the original camera to different ranges, so as to obtain different FOVs and scene scopes. Compatible with SP40, SP40H, SP60, SP60H, SP60H-L12, SP60H-L25, SP60H-L50, SP60H-L8, SP60-L12, SP60-L12/50, SP60-L25, SP60-L50, SP60-L8, and SP60-L8/25.

## ▪ Key Feature

- FOV (Field of View): SP40/SP40H: 9° (H) × 6.8° (V) SP60/SP60H: 12° (H) × 9° (V)

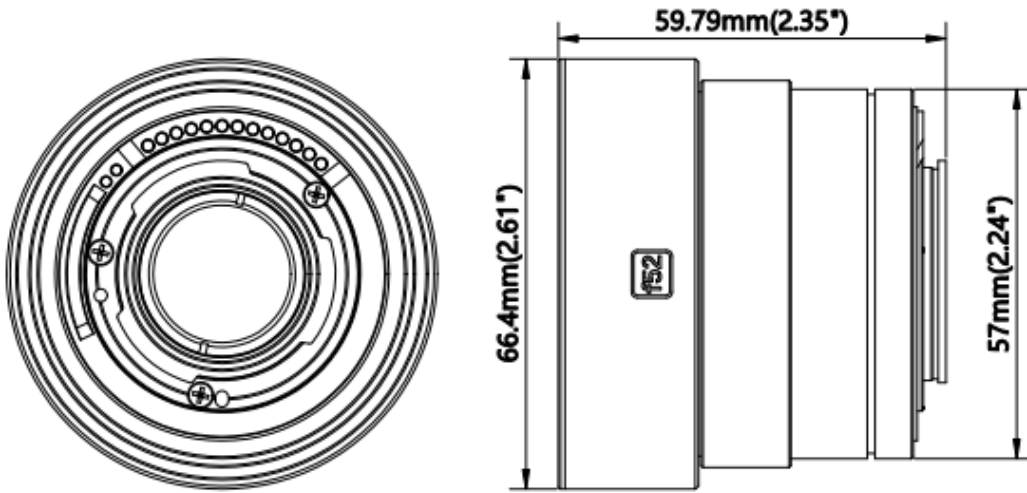
## ▪ Specification

| Infrared Image            |   |
|---------------------------|---|
| Focal Length              | 51.4 mm (0.16 ft)   |
| FOV (Field of View)       | SP40/SP40H: 9° (H) × 6.8° (V)<br>SP60/SP60H: 12° (H) × 9° (V) |
| IFOV (Spatial Resolution) | 0.33 mrad   |
| Aperture                  | F1.1  |
| Min. Focusing Distance    | 1 m (3.28 ft)   |
| General                   |   |
| Working Temperature Range | -20°C to 50°C (-4°F to 122°F)                                 |
| Weight                    | 254 g (0.56 lb)   |
| Dimension                 | 59.8 mm × φ66.4 mm (2.35" × φ2.61")                           |

## ▪ Available Model

HM-SP620-LENS

▪ Dimension



Unit: mm (Inch)