

Mini2 V2 Thermal Imager



The Mini2 V2 is a fantastic choice for inspecting homes and troubleshooting HVAC problems. With its high thermal resolution, SuperIR image enhancement, and accurate temperature readings, you can easily identify areas of concern and make informed decisions. Being compatible with both iOS and Android devices adds to its convenience, making it a reliable tool for thermal imaging on the go. Whether you're a homeowner or a professional, the Mini2 V2 is a versatile smartphone thermal camera that can assist you in various thermal imaging tasks.

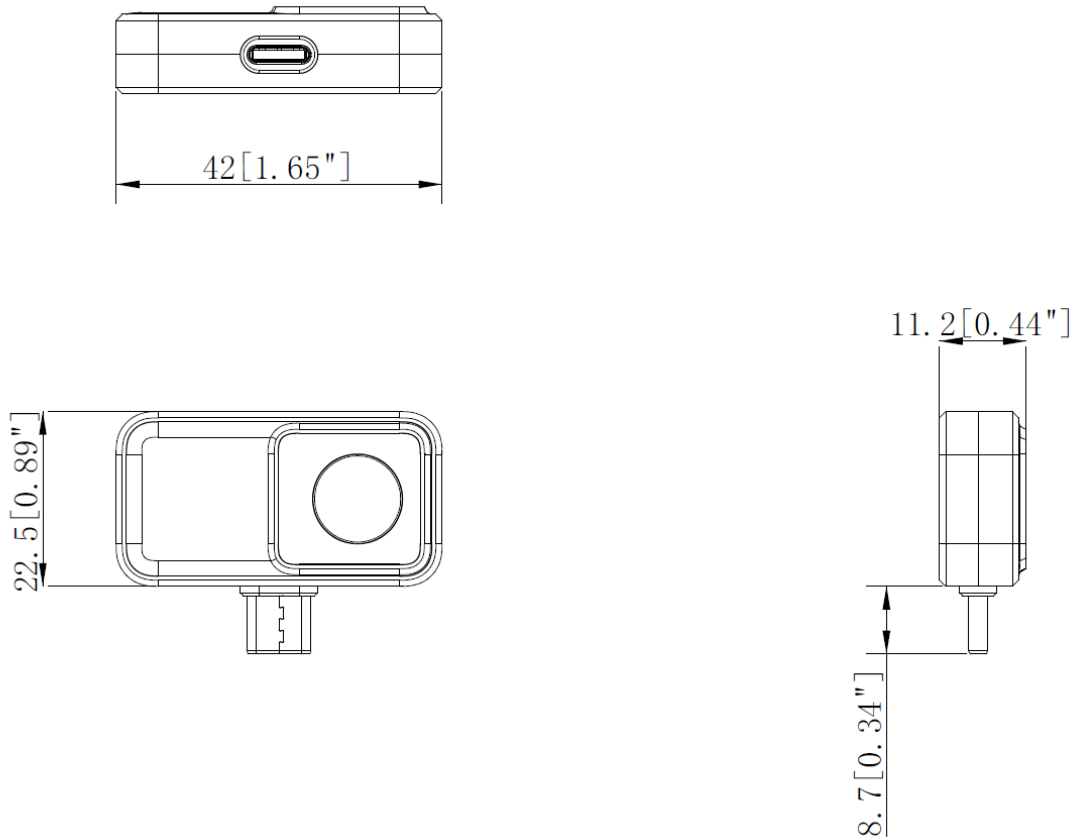
▪ Key Features

- Thermal resolution: 256 × 192 (49,152 pixels)
- SuperIR image enhancement technology on live view and captured images
- 3-in-1: USB-C (iOS & Android), Lightning (Includes a Lightning to USB-C adapter)
- NETD: < 40 mK (@ 25 °C, F#=1.0)
- Accuracy: ±2 °C (-20 °C to 100 °C) ; ±2 % (100 °C to 400 °C)
- 20 g Weight

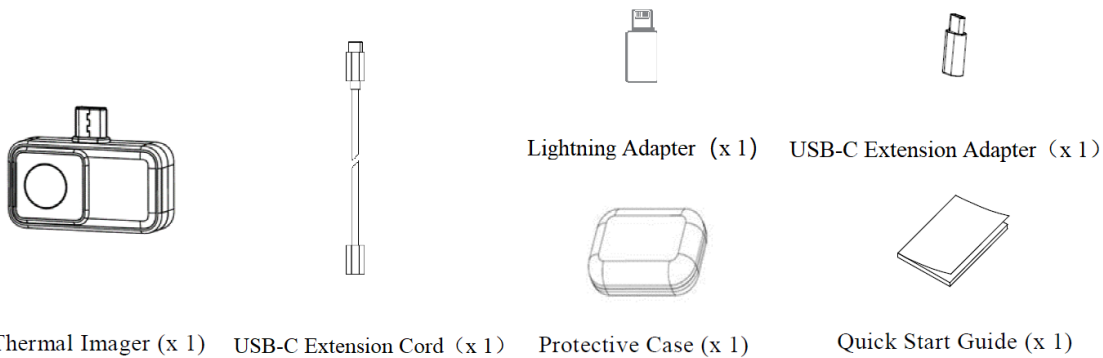
▪ Specification

| Infrared Image | |
|---------------------------|--|
| IR Resolution | 256 × 192 (49,152 pixels) |
| SuperIR | Yes, on captured images and live view |
| NETD | < 40 mK (@ 25 °C, F#=1.0) |
| Image Frequency | 25 Hz |
| Detector Pitch | 12 μm |
| Spectral Range | 7.5 to 14 μm |
| Focal Length | 3.5 mm |
| F-number | F1.0 |
| Field of View (FOV) | 50° × 37.2° |
| Min. Focus Distance | 0.2 m (0.66 ft) |
| Focus Mode | Focus Free |
| Image Display | |
| Color Palettes | White Hot, Black Hot, Rainbow, Ironbow, Sepia, Color, Ice Fire, Rain, Red Hot, Green Hot, Dark Blue, Combined |
| Image Modes | Thermal, PIP |
| Measurement and Analysis | |
| Object Temperature Range | -20°C to 400°C(-4°F to 752°F) |
| Accuracy | Max (±2°C/3.6°F, ±2%), for ambient temperature 15°C to 35°C (59°F to 95°F) and object temperature above 0°C (32°F) |
| Measurement Tools | Center Spot, Hot Spot, Cold Spot User-definable: 3 spots, 3 rectangles and 1 line . |
| Level and Span Mode | Auto/Manual |
| General | |
| Power Consumption | 360 mW |
| Interface | USB-C Android, USB-C iOS, Lightning iOS (Includes a Lightning to USB-C adapter) |
| Device Compatibility | iOS (version 14 and later), Android (version 7 and later) smartphones and tablets, or Windows devices |
| Software Compatibility | HIKMICRO Viewer app for iOS and Android, HIKMICRO Analyzer software for Windows |
| Protection Level | IP40 |
| Drop Test Height | 1 m (3.28 ft) |
| Working Temperature Range | -10°C to 50°C (14°F to 122°F) |
| Storage Temperature Range | -20°C to 60°C (-4°F to 140°F) |
| Dimension | 42 × 22.5 × 11.2 mm (1.65 × 0.89 × 0.44 in) |
| Weight | Approx. 20 g (0.044 lb) |

▪Dimension



▪Packaging



COMPLIANCE NOTICE: The thermal series products might be subject to export controls in various countries or regions, including without limitation, the United States, European Union, United Kingdom and/or other member countries of the Wassenaar Arrangement. Please consult your professional legal or compliance expert or local government authorities for any necessary export license requirements if you intend to transfer, export, re-export the thermal series products between different countries.



 HIKMICRO Thermography  hikmicro_thermography  HIKMICRO Thermography  HIKMICRO  info@hikmicrotech.com  <http://hikmicrotech.com/en>

© Hangzhou Microimage Software Co., Ltd. All Rights Reserved.

*Note: Specifications are subject to change without notice. For the current specs,
please go to www.hikmicrotech.com