

# LDP1000 SERIES



## GAS PURIFIER COMPATIBLE WITH ANY TRACE GAS ANALYSIS SYSTEM

The LDP1000 series is a sub ppb purifier used for generating high purity calibration gas for online analyzers as well as generating high purity carrier gas for gas chromatograph.

Designed with two steps of purification, this purifier design ensures no undesired impurity is released during process.

### WHY CHOOSING LDP1000 SERIES ?

- **2 beds of purification**  
Allows perfect purification
- **RS-232 port**  
Monitor the temperature of the 2 beds of purification
- **LEDs indication**  
Self-diagnostic and status of the purifier
- **Cost effective solution for long-term use**  
Interchangeable getter
- **Available in different format**  
Compact version makes it ideal when space is limited
- **Real end of life monitoring**  
Combined with PED technology and MultiDetek series, LDP1000 series gas purity can be monitored in real time to offer real auto diagnostic.



Where innovation leads to success

[www.ldetek.com](http://www.ldetek.com)

## SPECIFICATIONS:

<b>GETTER TYPE</b>	Alloy of Zr/V/Fe 2 beds (350 and 200 Celsius)				
<b>GASES PURIFIED</b>	Noble gases	Nitrogen	Hydrogen	Carbon dioxide	Oxygen
<b>IMPURITIES REMOVED AT ROOM TEMPERATURE</b>	H2O, O2, CO, CO2, H2	n/a	n/a	H2O, O2, THC	H2, H2O, CO, CO2, CH4, NMHC
<b>IMPURITIES REMOVED WITH HEATED DUAL BEDS</b>	H2O, O2, CO, CO2, N2, NMHC, H2, CH4	H2O, O2, CO, CO2, NMHC, H2, CH4	H2O, O2, CO, CO2, N2, THC	n/a	n/a
<b>REGENERATION MODE ACTIVE</b>	n/a	n/a	n/a	available	available
<b>IMPURITY LEVEL</b>	<10 ppb and <1 ppb available				
<b>FLOW</b>	Compact & LDP1000 versions flow rate are 0.2LPM nominal to 1LPM maximal Large LDP1000 version flow rate is 2LPM nominal to 10LPM maximal				
<b>GAS CONNECTIONS</b>	1/8" - 1/4" compression or VCR®				
<b>RECOMMENDED OPERATING PRESSURE</b>	100 PSIG (689 kPAG)				
<b>SUPPLY</b>	120 VAC, 50 - 60 Hz or 220 VAC, 50 - 60 Hz				
<b>POWER CONSUMPTION</b>	Start-up : maximum 200 Watts (allows quick start-up) Normal operation : maximum 50 Watts (designed for low consumption)				
<b>WEIGHT</b>	8 lbs (3.63 kg) Large LDP1000 • 5 lbs (2.26 kg) LDP1000 • 2 lbs (0.90 kg) Compact-LDP1000				

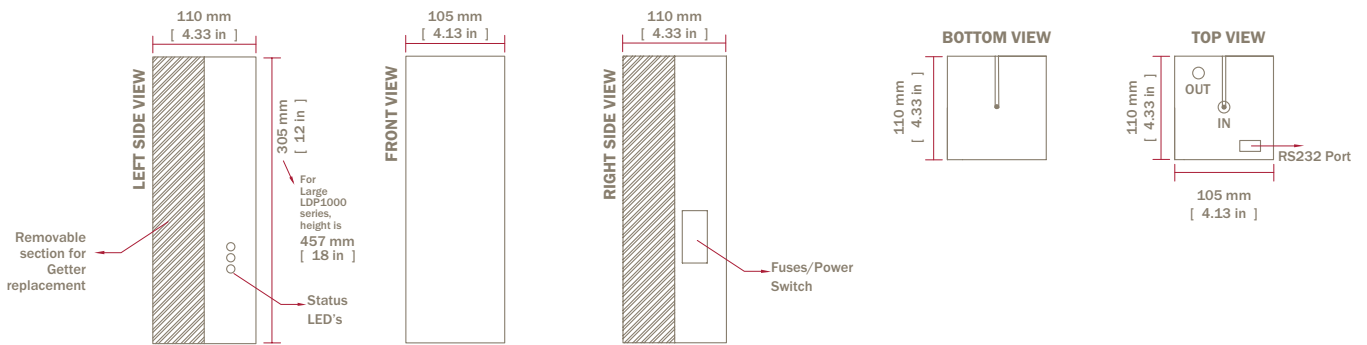
## CERTIFICATION:

**CE** In compliance with EMC directive 2004/108/EC, EN 61000-6-2:2005 for immunity & EN 61000-6-4:2007 for emissions.

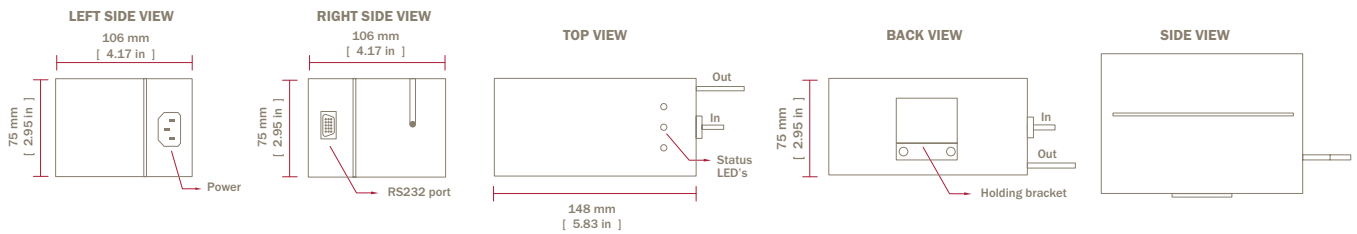
## ORDERING INFORMATION:

LDP1000, LARGE LDP1000, COMPACT LDP1000, GETTER LDP1000 OR MINI LDP1000	-XXX	-X	-X	-X	-X
	Operating Voltage: 120 volts (-120) 220 volts (-220)	Gas type: <b>N:</b> Noble gases <b>N2:</b> Nitrogen version <b>H2:</b> Hydrogen <b>O2:</b> Oxygen <b>CO2:</b> Carbon dioxide	Connection size: <b>1/8"</b> <b>1/4"</b>	Connection Type: Compression (-C) VCR (-V)	Supporting plate: <b>P-1/8C:</b> Stainless steel supporting plate/ 1/8" compression with high purity bypass valve & 2 in/out isolation valves <b>P-1/8V:</b> Stainless steel supporting plate/ 1/8" VCR with high purity bypass valve & 2 in/out isolation valves <b>P-1/4C:</b> Stainless steel supporting plate/ 1/4" compression with high purity bypass valve & 2 in/out isolation valves <b>P-1/4V:</b> Stainless steel supporting plate/ 1/4" VCR with high purity bypass valve & 2 in/out isolation valves <b>None:</b> no plate

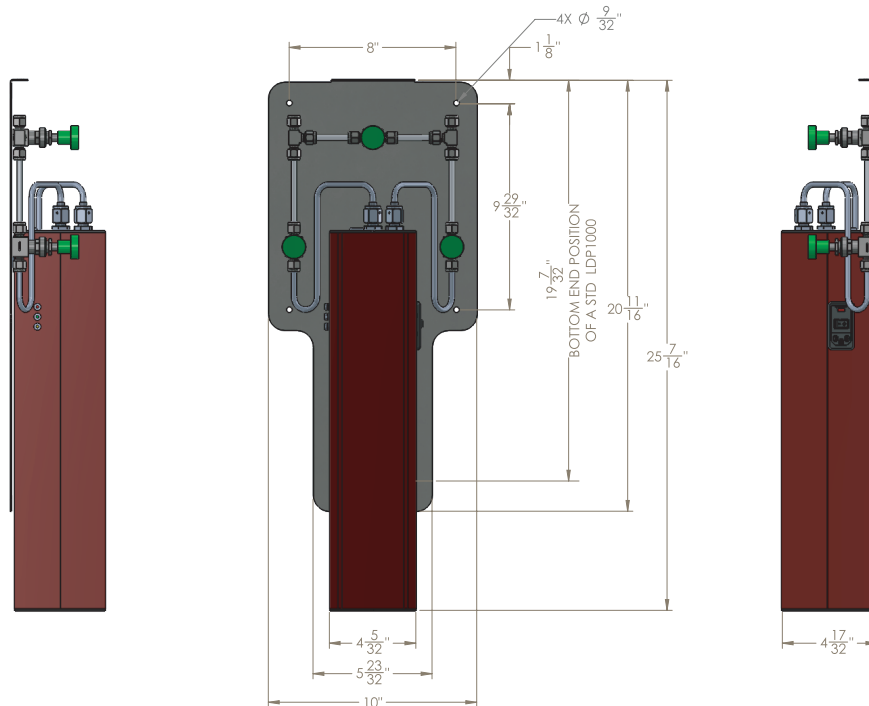
## DIMENSIONS LDP1000:



## DIMENSIONS COMPACT-LDP1000:



## DIMENSIONS FOR THE OPTIONAL STAINLESS STEEL SUPPORTING PLATE WITH BYPASS AND IN/OUT ISOLATION VALVES:





990 Monfette Est, Thetford Mines, (Qc), Canada, G6G 7K6  
Phone: 418 755-1319 • Fax: 418 755-1329 • [info@ldetek.com](mailto:info@ldetek.com)

[www.ldetek.com](http://www.ldetek.com)

Aufgrund laufender Weiterentwicklungen sind Änderungen der Spezifikationen vorbehalten. Alle Angaben vorbehaltlich Satz- und Druckfehler.

**nbn Austria GmbH**

Riesstraße 146, 8010 Graz

Tel. +43 316 40 28 05 | Fax +43 316 40 25 06

[nbn@nbn.at](mailto:nbn@nbn.at) | [www.nbn.at](http://www.nbn.at)

