

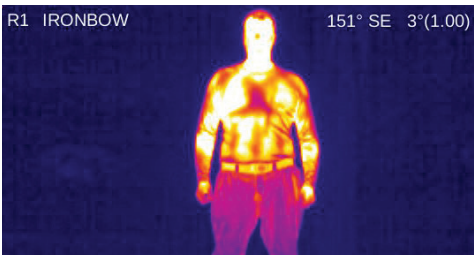


THERMAL IMAGING MONOCULAR

FLIR BREACH[®] PTQ136

Built for the rigors of law enforcement, the FLIR Breach PTQ136 spots the heat of suspects and objects in total darkness. Featuring the new FLIR Boson core and a compact design, the FLIR Breach offers unmatched tactical awareness. Weighing only 7.4 ounces (210 grams), the FLIR Breach can be concealed in a pocket or mounted to a helmet with its mini-rail feature, while adding minimal weight to officers' heavy gear. Additional features include onboard recording and seven palettes for fast detection of suspects or evidence, day or night.

www.flir.com



EXCEPTIONAL VISION

The advanced image processing of the Breach PTQ136's internal FLIR Boson thermal core and a bright high definition display create excellent image clarity and provide better detection and classification, day or night.

Custom Viewing

- Multiple thermal image palettes create a fully customizable viewing experience

Digital Compass and Inclinometer

- Great situational awareness with integrated object orientation

FLEXIBLE MOUNTING OPTIONS

For hands-free operation, Breach PTQ136 has multiple mini-rail mounting points designed to allow for a wide variety of head mounts, helmet mounts, and to install additional equipment.

Built-In Recording

- Internal storage of up to 2.5 hours of recording or up to 1,000 pictures

Iconic FLIR Warranty

- Enjoy FLIR's 10-year Detector warranty

SUPERIOR VALUE

The Breach PTQ136 is packed with features. Document operations with on-board video recording and image capture. Choose from multiple palettes to perfect viewing during varied situations. Enhance situational awareness with a digital compass/inclinometer.

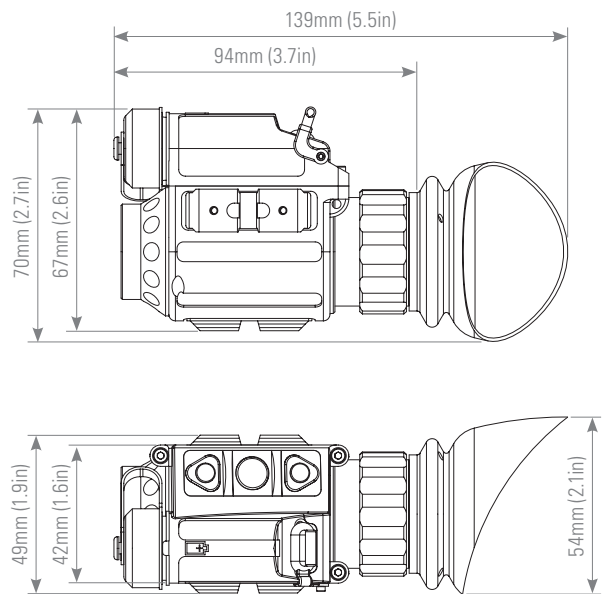
Made in the USA

- Have the peace of mind that comes from knowing your gear is made and supported in the USA

SPECIFICATIONS

General		FLIR Breach PTQ136
Detector Type	320 x 256 VOx Microbolometer	
Refresh Rate	60 Hz	
Start Up	<5 seconds	
Image Processing	FLIR Proprietary Digital Detail Enhancement™	
Lens System	9.1 mm; F/1.04	
Optical Magnification	1x	
Field of View (H x V)	24° x 19°	
Digital e-Zoom	1x - 4x continuous	
Diopter Adjustment Range	-5 to +5 dpt	
Focusing Range	0.25 m to infinity	
Eye Relief	16 mm	
Display	Quad-VGA (1280 x 960) FLCOS	
Video Output	Digital Video	
Internal Memory	Up to 1,000 images and 2.5 hours of video on internal memory	
Temperature Imaging Modes (Image Palettes)	White Hot, Black Hot, Rainbow HC, Ironbow, Sepia, Arctic, Outdoor Alert	
User Interface		
Control Panel Buttons	Configures Operational Settings: <ul style="list-style-type: none"> • Unit On/ Off • Display Brightness Control • Digital Zoom Control • Image Capture and Video Record Control • On-Screen Menu Navigation • NUC 	
Diopter Adjustment Ring	Adjusts the Eyepiece Diopter	
Interfacing		
USB-C Connector	Power In; Video out; Video and image files transfer	
Power		
Battery Type	One CR123A 3V Lithium battery	
Battery Life (Operating)	Up to 90 minutes at 20°C	
USB Power	5 VDC	

Environmental	
Operating Temperature Range	-20°C to +50°C (-4°F to +122°F)
Storage Temperature Range	-40°C to +60°C (-40°F to +140°F)
Physical	
Weight	210 g (0.46 lbs)
Size	139 x 70 x 49 mm (5.5 x 2.7 x 1.9 in)
Color (housing)	Black
Country of Origin	USA
Package Includes	
Thermal Monocular, CR123A Battery, Lens Cloth, Soft Case	
Optional Accessories	
ANHG000002 – Swing Arm #37 - Mini Rail Adapter to Bayonet Mount	
ANHM000172 – Swing Arm #172 - Mini Rail to Dovetail Adapter	



DETECTION RANGE PERFORMANCE

9.1 mm 335 m 

Ranges calculated using Johnson criteria (1.8 m man)

Specifications are subject to change without notice.
For the most up-to-date specs, go to www.flir.com

FLIR SYSTEMS, INC.

9 Townsend West,
Nashua, NH 03063
Phone: 1-888-959-2259
or (603) 321-7600
Fax: 1-888-959-2260

FLIR PRODUCT REPAIR CENTER

Support: <https://flir.custhelp.com/>
Register on: customer.flir.com

ORDER PLACEMENT, RETURN TO STOCK AND INQUIRIES

Email: Orders@flir.com

PRODUCT REGISTRATION

flir.com/support

TECHNICAL SUPPORT

<http://customer.flir.com>

www.flir.com
NASDAQ: FLIR

Equipment described herein is subject to US export regulations and may require a license prior to export. Diversion contrary to US law is prohibited. Imagery for illustration purposes only. Specifications are subject to change without notice. ©2024 FLIR Systems, Inc. All rights reserved. Updated 04/24/2024

20-0691-PVS - Breach-PTQ136



The World's Sixth Sense™

Aufgrund laufender Weiterentwicklungen sind Änderungen der Spezifikationen vorbehalten. Alle Angaben vorbehaltlich Satz- und Druckfehler.

nbn Austria GmbH

Riesstraße 146, 8010 Graz

+43 316 40 28 05

info@nbn.at | www.nbn.at

