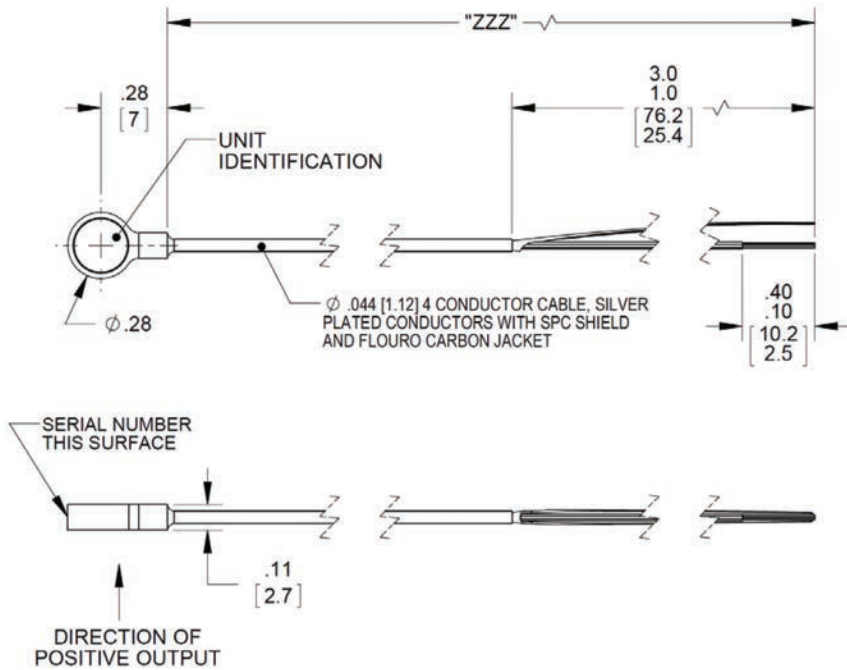


Piezoresistive accelerometer

Model 727



Key features

- Lightweight 0.3 grams
- Exceptional frequency response
- Adhesive mount
- 10 feet of integral cable

Description

The 727 is an extremely lightweight piezoresistive accelerometer designed to measure shock during the drop testing of consumer electronic devices. Available in 2kg, 6kg, 20kg and 60kg ranges, the 727 can measure shocks in g ranges well above current drop test sensors. It is designed to be mounted with adhesive, and at only 0.3 grams for the accelerometer body and 1.1 grams per foot for the cable, mass loading to the test object is minimal. The 727 has exceptional frequency response, from DC-10kHz for 2kg range up to DC-100kHz for the 60kg range, to capture the entire frequency range of interest. The standard unit comes with an A2LA certified calibration taken at 10 volts and 120 inches of integral cable.

Piezoresistive accelerometer | Model 727

All specifications assume +75°F (+24°C). Calibration data, traceable to National Institute of Standards and Technology (NIST), is supplied.

Specifications					
Dynamic characteristics	Units	2K	6K	20K	60K
Range	g	2000	6000	20 000	60 000
Sensitivity					
Typical	μV/V/g	10	3	1	0.3
Minimum	μV/V/g	5	1.5	0.5	0.15
Frequency Response +/-5% Typical	kHz	0-10	0-20	0-50	0-100
ZMO	mV/V	10	10	10	10
Resistance	Ω	650 ± 300	650 ± 300	650 ± 300	650 ± 300
Resonant frequency (typ)	kHz	90	180	350	700
Over range	g	3000	9000	30 000	90 000
Electrical characteristics					
Excitation	Vdc	2 to 12 (10 V standard)			
Isolation resistance	mΩ	100 Mohm at 50 Vdc between the sensor (all leads tied together) and cable shield or case			
Environmental characteristics					
Temperature range					
Operating		32°F to +158°F (0°C to +70°C)			
Storage		-40°F to +185°F (-40°C to +85°C)			
Physical characteristics					
Weight	gram (oz)	0.3 (0.01)			
Case material		AL 6061-T6, hard anodized			
Cable		36 AWG SPC, braided shield, FEP jacket			
Cable weight	oz/ft	0.04			

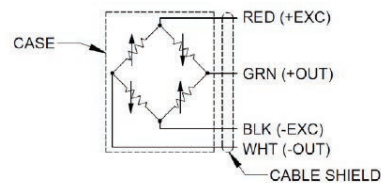
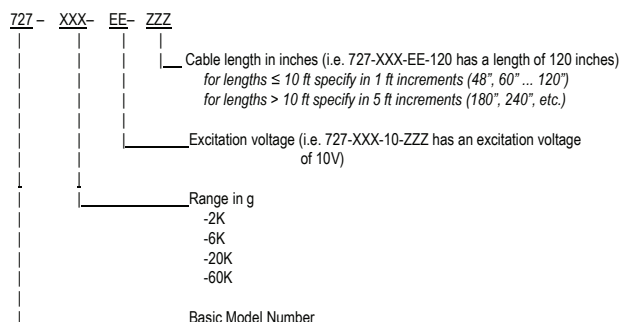
Please refer to IM727 for mounting and de-mounting instructions.

Accessories		
Product	Description	727
EDV42894	Removal tool	Supplied
4418	Single channel bridge signal conditioner	Optional

Notes

1. Maintain high levels of precision and accuracy using Endevco's factory calibration services. Call Endevco's inside sales force at 866-ENDEVCO for recommended intervals, pricing and turn-around time for these services as well as for quotations on our standard products.

2. Model number definition:



10869 NC Highway 903, Halifax, NC 27839 USA

endevco.com | sales@endevco.com | 866 363 3826

© 2021 PCB Piezotronics - all rights reserved. PCB Piezotronics is a wholly-owned subsidiary of Amphenol Corporation. Endevco is an assumed name of PCB Piezotronics of North Carolina, Inc., which is a wholly-owned subsidiary of PCB Piezotronics, Inc. Accumetrics, Inc. and The Modal Shop, Inc. are wholly-owned subsidiaries of PCB Piezotronics, Inc. IMI Sensors and Larson Davis are Divisions of PCB Piezotronics, Inc. Except for any third party marks for which attribution is provided herein, the company names and product names used in this document may be the registered trademarks or unregistered trademarks of PCB Piezotronics, Inc., PCB Piezotronics of North Carolina, Inc. (d/b/a Endevco), The Modal Shop, Inc. or Accumetrics, Inc. Detailed trademark ownership information is available at www.pcb.com/trademarkownership.