

3420 COIL TUBING LOAD CELL (U.S. & METRIC)

FEATURES & BENEFITS

- Hermetically sealed load cell
- Performance to 0.05%
- 4-20 mA
- II 2 G Ex ib IIC T4 (-40° C < Ta < 93° C)



SPECIFICATIONS

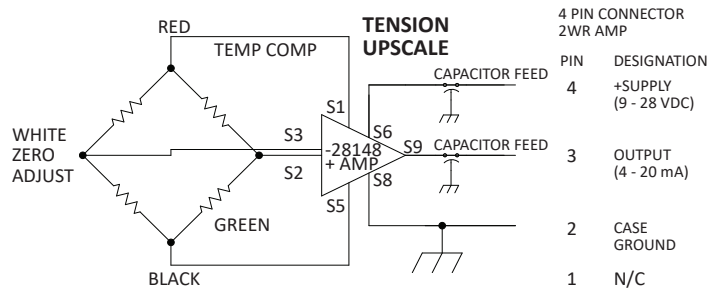
CAPACITY	U.S. (lbf)	40K, 50K
	Metric (kN)	178, 222
ACCURACY – (MAX ERROR)		
Nonlinearity – %FS		±0.05
Hysteresis – %FS		±0.05
Non-repeatability – %RO		±0.02
Creep, in 20 min – %		±0.03
Side Load Sensitivity – %		±0.25
Eccentric Load Sensitivity – %	in	1.0
	mm	25
TEMPERATURE		
Compensated Range	°F	0 to +150
	°C	-18 to +65
Operating Range	°F	-60 to +200
	°C	-50 to +93
Effect on Zero – %RO MAX	°F	±0.002
Effect on Output – % MAX	°F	±0.002
ELECTRICAL		
Rated Output – (Nominal)	3420DJP 40K: -40K (4mA), +40K (20mA) 3420CLF 40K: -40K (4mA), +40K (20mA)	
Excitation Voltage – VDC	+9 to +28, +15 (Nominal)	
Bridge Resistance – Ω (Nominal)	4000	
Zero Balance – %RO	+8.570 ±0.100	
Insulation Resistance – MΩ MIN	5000	
Loop Resistance – Ω – VDC MAX	0 @ Excitation = 9 950 @ Excitation = 28	
MECHANICAL		
Safe Overload – %CAP	±150	
Ultimate, Axial Load – %CAP	±300	
Safe Side Load – %CAP	50	
Safe Load Axis Moment – %CAP x 1 in	50	
Deflection	0.003	
Weight	lbs	18.0
	kg	8
Connector	3420DJP 40K: PT1H-10-6P 3420CLF 40K: Jupiter REC-M-10TPN-04-16	
Seal	IP68	
Calibration	T & C	
Natural Frequency – kHz	90	
Material	Stainless steel	

STANDARD CONFIGURATION



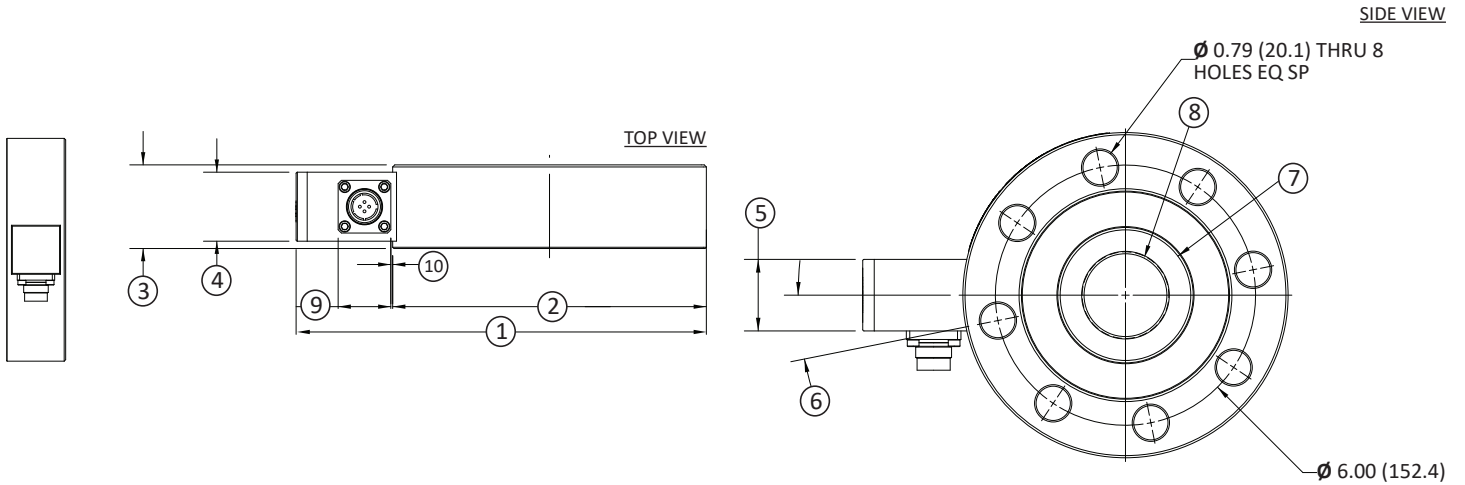
Model 3420DJA-50K (Shown)

WIRING DIAGRAM



* Metric dimensions and capacities are provided for conversion only. Standard product will be sold in lbf and U.S. dimensions. Metric capacities available upon special request and at an additional cost.

3420 COIL TUBING LOAD CELL (U.S. & METRIC)



DIMENSIONS

See Drawing	MODEL	
	3420	
	CAPACITY	
	U.S. (lbf)	Metric (kN)
	*40K, 50K	*178, 222
	in	mm
(1)	9.85	250.1
(2)	7.50	190.5
(3)	2.00	50.8
(4)	1.65	41.9
(5)	1.65	41.9
(6)	11.25°	
(7)	3.00	76.2
(8)	2-12 UN-3B thru	
(9)	1.26	32.0
(10)	0.11	2.70

3420 v2.3 04-08-2019

* Metric dimensions and capacities are provided for conversion only. Standard product will be sold in lbf and U.S. dimensions. Metric capacities available upon special request and at an additional cost.