

3416 & 3430 COIL TUBING LOAD CELL (U.S. & METRIC)

FEATURES & BENEFITS

- Capacities from 20K to 60K lbf (89 to 267kN)
- Hermetically sealed load cell
- Performance to 0.05%
- 4-20 mA
- II 2 G Ex ib IIC T4 (-40° C < Ta < 93° C)



SPECIFICATIONS

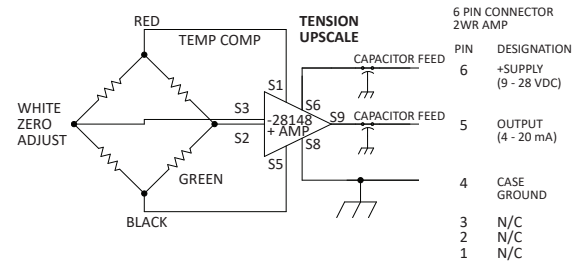
CAPACITY	U.S. (lbf)	20K, 30K, 40K, 50K, 60K
	Metric (kN)	89, 133, 178, 222, 267
ACCURACY – (MAX ERROR)		
Nonlinearity – %FS		±0.05 [±0.10]
Hysteresis – %FS		±0.05 [±0.08]
Non-repeatability – %RO		±0.02
Creep, in 20 min – %		±0.03
Side Load Sensitivity – %		±0.25
Eccentric Load Sensitivity – %	in	1.0
	mm	25
TEMPERATURE		
Compensated Range	°F	0 to 150
	°C	-18 to 65
Operating Range	°F	-60 to 200
	°C	-50 to 93
Effect on Zero – %RO / °F MAX		±0.002
Effect on Output – % / °F MAX		±0.002
ELECTRICAL		
Rated Output – (Nominal)		3416DJS 20K: -10K (4mA), +20K (20mA) 3416DJR 30K: -30K (4mA), +30K (20mA) 3416DMK 50K: -20K (4mA), +50K (20mA) 3430DES 60K: -20K (4mA), +60K (20mA)
Excitation Voltage		+9 to +28 VDC, 15 VDC (Nominal)
Bridge Resistance – Ω (Nominal)		4000
Zero Balance – %RO		+8.570 ±0.100
Insulation Resistance – MΩ MIN		5000
Loop Resistance – Ω MAX		0 @ Excitation = 9 VDC 950 @ Excitation = 28 VDC
Connector		PT1H-10-6P
MECHANICAL		
Safe Overload – %CAP		±150
Ultimate, Axial Load		±300
Safe Side Load – %CAP		50
Safe Load Axis Moment – % CAP x 1 in		50
Deflection		0.002 [0.003]
Weight	lbs	11.0 [23.0]
	kg	5 [10]
Seal		IP68
Calibration		T & C
Material		Stainless steel

STANDARD CONFIGURATION



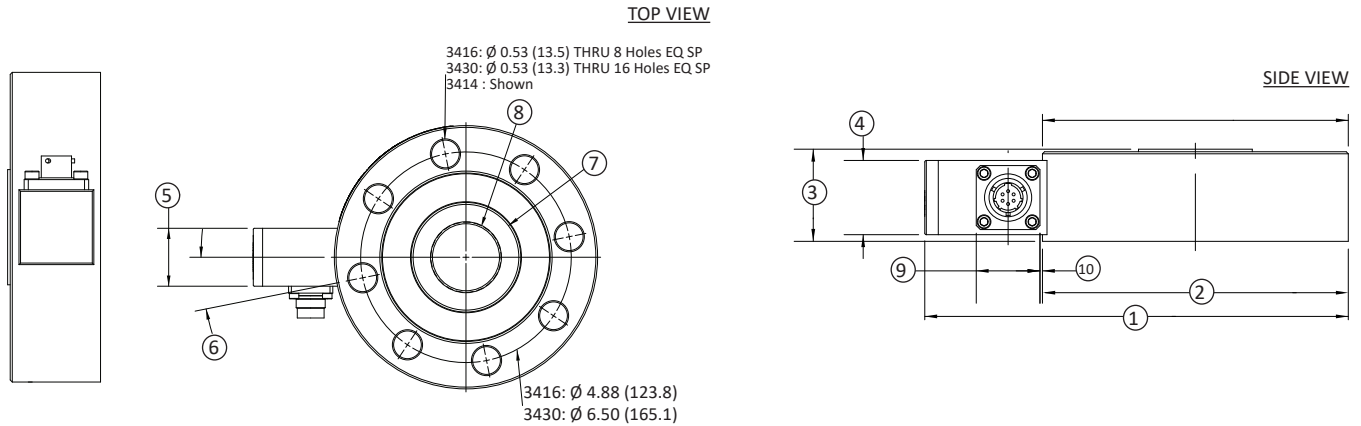
Model 3410FDJ-10K (Shown)

WIRING DIAGRAM



* Metric dimensions and capacities are provided for conversion only. Standard product will be sold in lbf and U.S. dimensions. Metric capacities available upon special request and at an additional cost.

3416 & 3430 COIL TUBING LOAD CELL (U.S. & METRIC)



DIMENSIONS

See Drawing	MODEL			
	3416		3430	
	CAPACITY			
	U.S. (lbf)	Metric (kN)	U.S. (lbf)	Metric (kN)
	in	mm	in	mm
(1)	8.31	211.1	10.35	262.9
(2)	6.00	152.4	8.00	203.2
(3)	1.80	45.7	2.50	63.5
(4)	1.45	36.8	1.65	41.9
(5)	1.45	36.8	1.65	41.9
(6)	15°		11.25°	
(7)	2.23	56.6	3.37	85.6
(8)	1½-12 UNF-3B thru		2-12 UN-2B thru	
(9)	1.26	32.0	1.26	32.0
(10)	0.04	1.00	0.13	3.30